

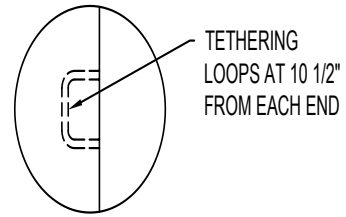
52" x 24" STAINLESS STEEL STEP IN ANIMAL TUB WITH HAIR CATCHING SYSTEM AND RIGHT HAND DRAIN (W52HTY)

SELECT DESIRED FAUCET FIXTURE:

- QUALITY FIXTURE
- DELUXE FIXTURE
- LIGHTWEIGHT QUALITY FIXTURE
- LIGHTWEIGHT DELUXE FIXTURE

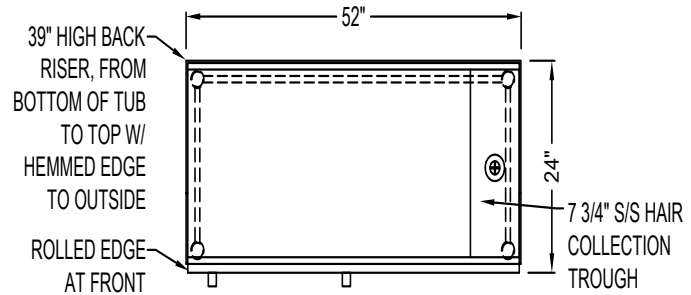
SELECT DESIRED ADDITIONAL PRODUCTS:

- DRYING AND BRUSHING TABLE
- PROFESSIONAL QUALITY PET DRYER

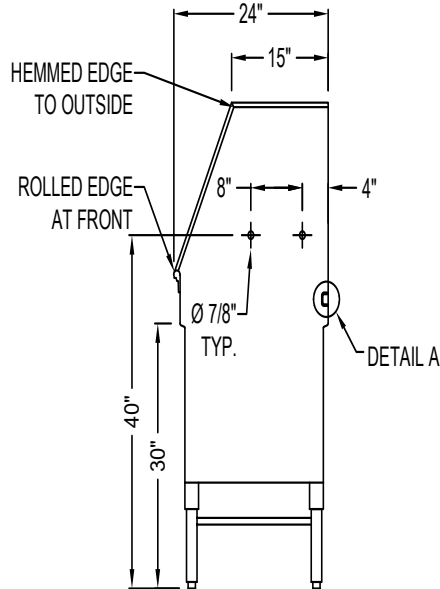


TETHERING
LOOPS AT 10 1/2"
FROM EACH END

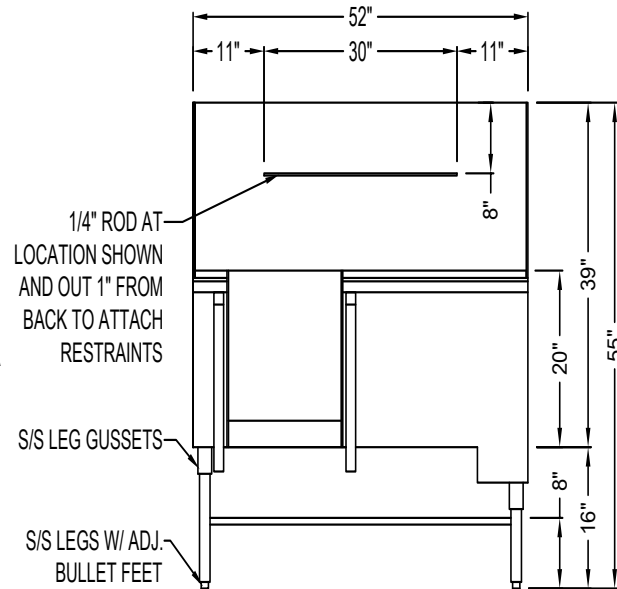
DETAIL A



TOP VIEW



SIDE VIEW



FRONT VIEW