

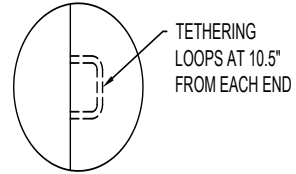
52" X 24" STAINLESS STEEL LIFT IN ANIMAL BATHTUB WITH HAIR CATCHING DRAIN SYSTEM - LEFT DRAIN (A52HT-LH)

SELECT DESIRED FAUCET FIXTURE:

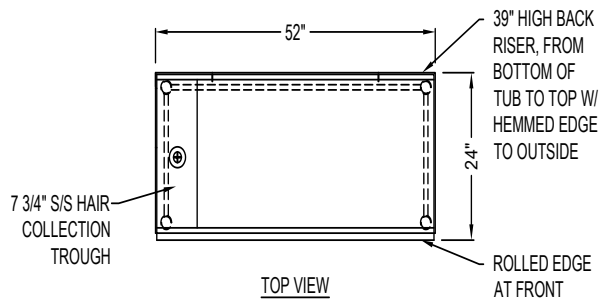
- QUALITY FIXTURE
- DELUXE FIXTURE
- LIGHTWEIGHT QUALITY FIXTURE
- LIGHTWEIGHT DELUXE FIXTURE

SELECT DESIRED ADDITIONAL PRODUCTS:

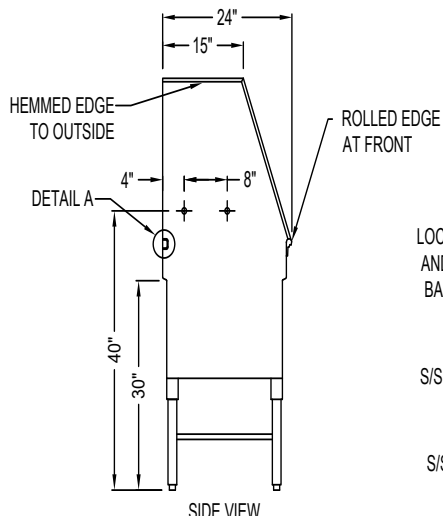
- DRYING AND BRUSHING TABLE
- PROFESSIONAL QUALITY PET DRYER



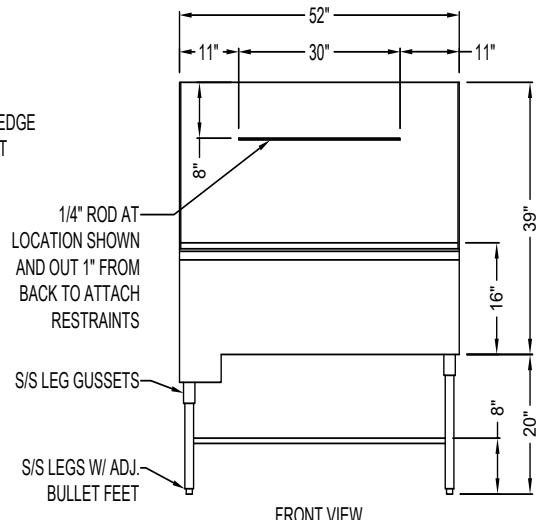
DETAIL A



TOP VIEW



SIDE VIEW



FRONT VIEW