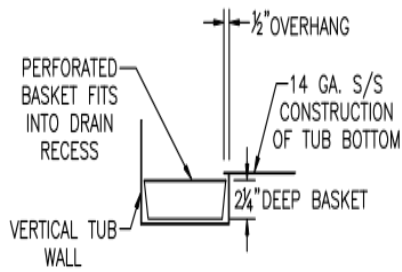
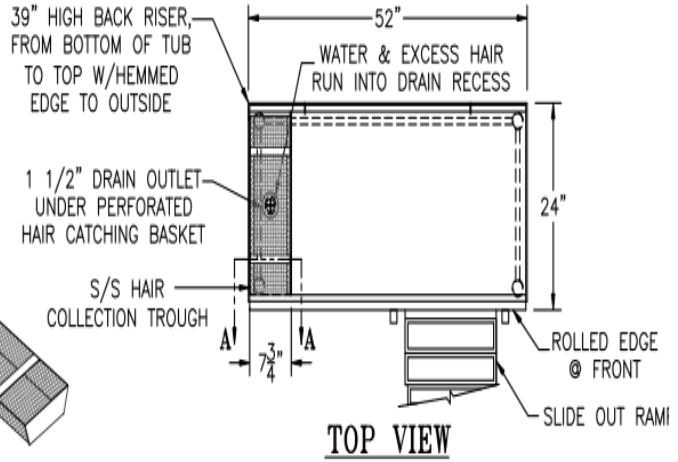
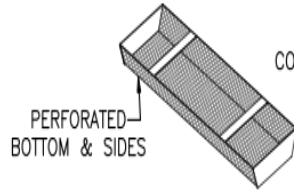


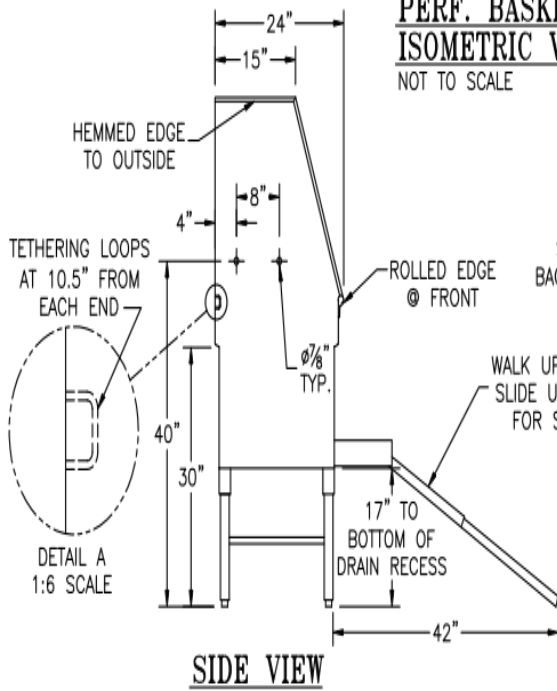
**52" X 24" STAINLESS STEEL RAMP ANIMAL BATHTUB WITH HAIR CATCHING DRAIN SYSTEM /
INTERNAL WELL - LEFT DRAIN (R52HTY-LH)**



SECTION A-A
SCALE: x 2



PERF. BASKET ISOMETRIC VIEW
NOT TO SCALE



1/4" ROD @ LOCATION SHOWN & OUT 1" FROM BACK TO ATTACH RESTRAINTS.

