

## K9000® Dog Wash

*Sturdy and Robust, designed for dogs of all sizes*



## **K9000 Product Specifications**

The K9000 is constructed from heavy duty, high quality aircraft stainless steel with bright, eye catching decals, providing a superior finish and longevity.

The unit is configured with a \$10 operating cycle for 10 minutes on a timer. Additional time can be purchased in \$1 increments. A bonus feature allows for additional time to be purchased at a lower cost. It is programmed with 6 wash cycles that are easily selected during operation. The options within the cycle are Shampoo, Flea and Tick Shampoo, Condition, Rinse, Heated Blow Dry (High and Low options) and Free Disinfect. A Pause button allows dog owners who wish to use their own shampoo to pause the timer for 30 seconds (adjustable) while they apply their shampoo. Dog Owners can decide to go through the whole cycle or select portions of the wash cycle. The wash timer is fully adjustable and can be configured to suit individual owner requirements, with full auditing to track revenue. The machine can even be configured as a no charge option.

Several payment device options are available with the station. Coin operated (standard) or optional bill reader and/or credit card device. The credit card device allows for debit, tap and apple pay and comes with payment remote monitoring software.

The K9000 has a digital display timer making it easy to monitor the wash progress. It also has an audible beeper warning device to let customers know when the wash cycle time is close to completion.

The K9000 can be equipped with an optional hot water unit if hot water is not easily available at the site, or the hot water source is greater than 5 metres from the dog wash station. This will ensure a continuous supply of hot water at the correct temperature.

Equipped with our exclusive soft touch wash gun is an on/off button for immediate control when washing. The gun is very easy to use. A soft coated, non-skid, hair free floor is installed for the dog to stand on, which optimizes dog comfort and safety.

A three-part filtration system traps dog hair while still providing sufficient area for the waste water to drain. This filter can accommodate the hair of approximately 20 dogs and should be emptied 3-4 times a week.

The K9000 uses high quality dosing pumps to apply the soap products. Our extensive experience and testing has proven that this is the most practical and reliable way to apply dog wash products and gives you the flexibility to run different products to suit individual needs.

Products provided for use with the machine have been used safely on millions of dogs around the world. They are designed specifically for dogs by a pharmaceutical company specializing in veterinary products and are all natural to cater for the most sensitive of skins.

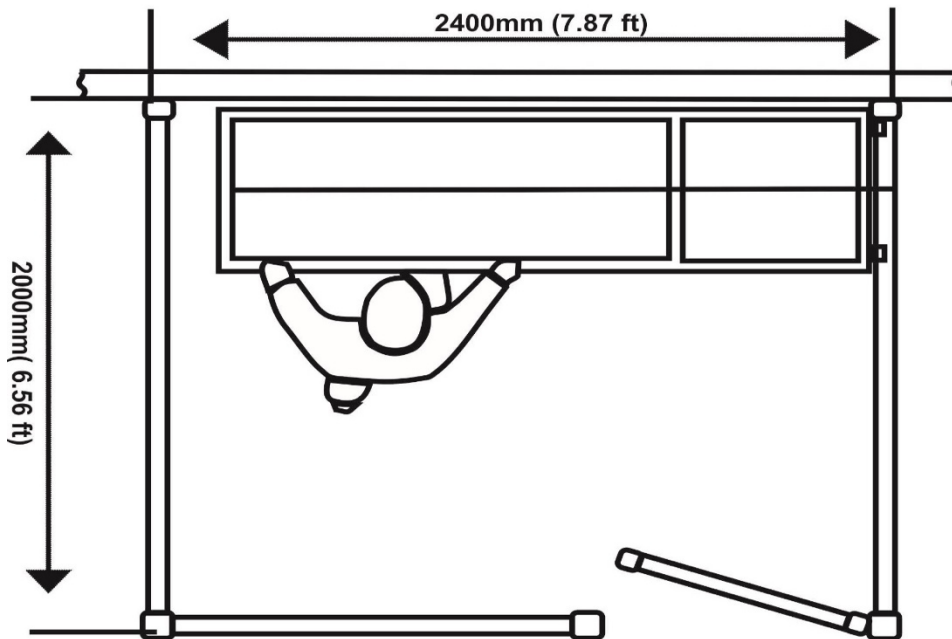
## Product Features

The K9000 comes in both a Standard and Lite version. The Standard is recommended for an unstaffed area where more security is required, and the Lite version for a staffed area.

Feature	Standard	Lite
Construction	Heavier stainless steel construction	Lighter stainless steel construction
Weight	275 kg	
Dimensions LxHxD	6.5 ft x 6.07 ft x 1.97 ft	
High Security Kit including locks and lock boxes	●	n/a
Light above Tub		n/a
Free Vend	n/a	●
Coin/Token operated	●	
Wash cycles	Shampoo, Flea/Tick Shampoo, Rinse, Condition, Dry, Disinfect	
2 speed heated Dryer	●	
Free Disinfect	●	
Touch Screen	●	
Pause for 30 seconds feature		
Bonus time feature	●	
Programmable wash timer	●	
Digital display Timer	●	
Contoured, soft coated, non skid wash platform to optimize do comfort and safety	●	
3-part filtration system	●	
Soft touch gun with on/off button for immediate control	● ●	
1 Minute left customer alert	●	
Operator switch for cleaning	●	
Auditing capability to track revenue	●	
Dog Wash Banners x 2	●	
Start up soap pack	●	

Feature	Standard	Lite
Soap management system		●
Two year warranty		●
<b>Optional Extras</b>		
Customized decals on back panel and kick board		●
Onboard Hot Water Unit	Instant Hot	
CDN Note Reader \$5, \$10, \$20	●	n/a
CDN Credit/Debit/Apple Pay Reader		●

### Technical Specifications



### Technical Site Requirements

Power (site supplied hot water)	208v-240v 16 AMP
Power (k9000 hot water unit)	208v-240v AMP dependent on inlet water temperature and number of machines being installed
Water	40 psi (min) ½ " Ball Valve
Waste	2" Diameter Outlet
Weight	630 lbs



**General requirements:**

It is advisable to install a fan above the dog wash and also a drain on the floor to keep the area dry. We also highly recommend a (pool type) fence area with a child proof gate (6.56 x 7.87 minimum).

Contact us at [info@foreverclean.ca](mailto:info@foreverclean.ca) for more details regarding return on investment, example installations and competitive pricing. We are happy to customize our models to suit your needs.